

Cut here

Punch mark

Punch mark

Cut here



PLASTIC FACE SHIELD

Personal Protective Equipment

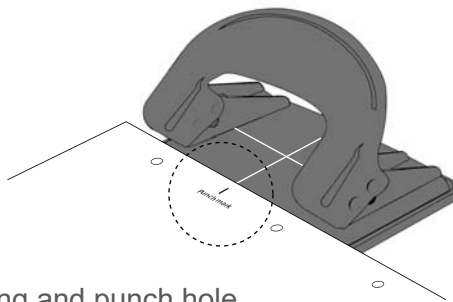


Assembly Instructions

STEP 1:

Punch Hole on Sheets

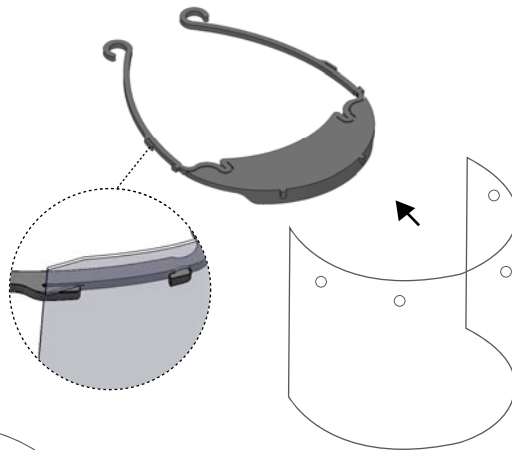
- Use the marking on the left
- Align according to the marking and punch hole



STEP 2:

Assemble Sheet to Visor

- Fix sheet through the hole and knob
- Slide the edge of the sheet into the visor
- Cut following the line and fold sheet



STEP 3:

Tie Elastic Band

- Measure your preferred length
- Tie knot at both ends
- May be replaced by rubber band



Safety, Security & Prevention



Scan to visit our page



Scan & order now

*Print setting choose: actual size or custom scale 100%



IME TRADING SDN BHD (163153-T)
A member of IME Group of Companies

Selangor : 30A, Jln PJS 1/46, Tmn Petaling Utama, 46000 Petaling Jaya, Selangor, Malaysia.

Penang : 68, Jln Perai Jaya 4, Bandar Perai Jaya, 13700 Pulau Pinang, Malaysia.

Johor : 25-01, Jln Bestari 8/2, Tmn Nusa Bestari, 79150 Iskandar Puteri, Johor, Malaysia.

Kuching : 2nd Floor, Sublot 17, Parent lots 9659 & 9276, Block 11 MCLD Second Precinct, Jalan Setia Raja, 93350, Kuching, Sarawak.

Tel: +603-7783 6866